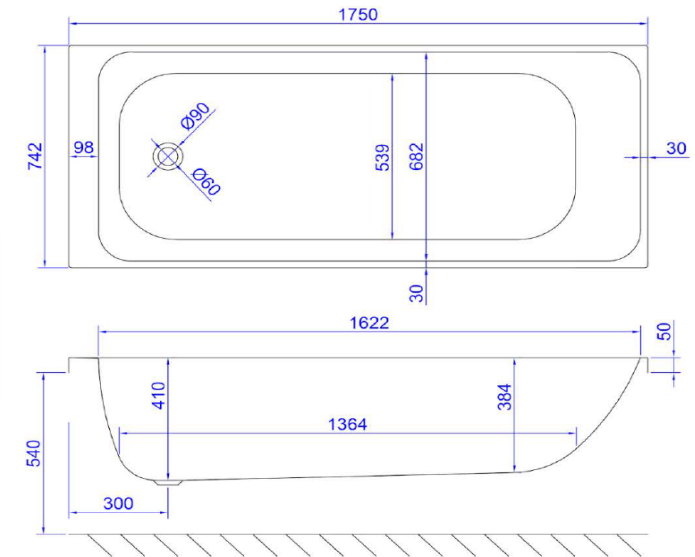


Profile SE

1750 x 750



Technical Information



Water Capacity

264 litres

Installation Kit

Standard - AK-01

Carronite - AK-01-C

Whirlpool Compatibility

N/A

Bath Codes

Profile 1750x750 Standard 02591
Profile 1750x750 Carronite 02592

Screen Codes

CFS1 Curved Profile 02344
CFS1 Square Profile 02346

Panel Codes

L-Shape 1750x750x540 Panel 02607
Front 1750x540 Standard Panel 02601
Front 1750x540 Carronite Panel 02602
End 750x540 Standard Panel 02289
End 750x540 Carronite Panel 02275

Carron Bathrooms Limited

North Carron Works
Stenhouse Road
Falkirk, FK2 8UW

Email : info@carronbathrooms.com
Web : www.carronbathrooms.com
Tel : +44 (0)1324 638 407


THE NAME FOR BATHS