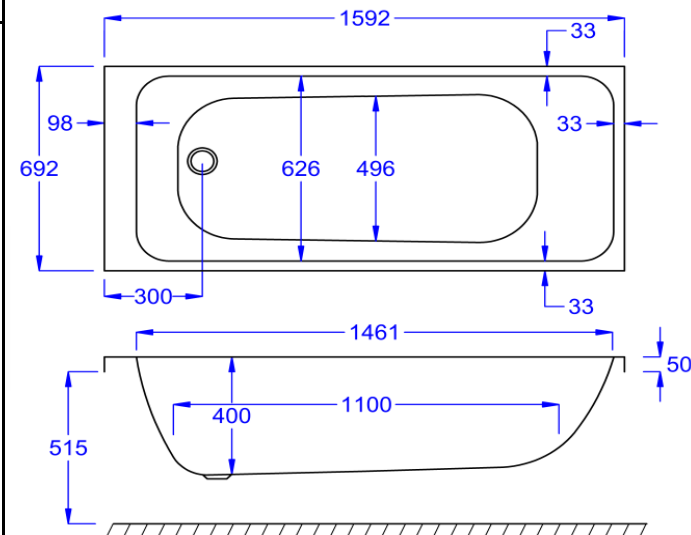


Profile SE

1600 x 700



Technical Information



Water Capacity

204 litres

Installation Kit

Standard - AK-01

Carronite - AK-01-C

Whirlpool Compatibility

N/A

Bath Codes

Profile 1600x700 Standard 02420
 Profile 1600x700 Carronite 02421

Screen Codes

CFS1 Curved Profile 02344
 CFS1 Square Profile 02346

Panel Codes

L-Shape 1600x700x515 Panel 02503
 Front 1600x515 Standard Panel 02316
 Front 1600x515 Carronite Panel 02317
 End 700x515 Standard Panel 02285
 End 700x515 Carronite Panel 02271

Carron Bathrooms Limited

North Carron Works
 Stenhouse Road
 Falkirk, FK2 8UW

Email : info@carronbathrooms.com
 Web : www.carronbathrooms.com
 Tel : +44 (0)1324 638 407

