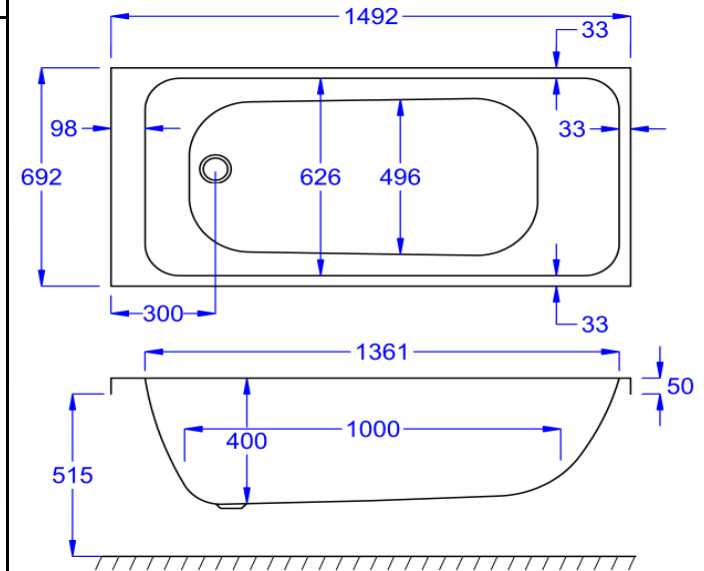


# Profile SE

# 1500 x 700



## Technical Information



### Water Capacity

190 litres

### Installation Kit

Standard - AK-01

Carronite - AK-01-C

### Whirlpool Compatibility

N/A

### Bath Codes

Profile 1500x700 Standard 02418  
 Profile 1500x700 Carronite 02419

### Screen Codes

CFS1 Curved Profile 02344  
 CFS1 Square Profile 02346

### Panel Codes

L-Shape 1500x700x515 Panel 02502  
 Front 1500x515 Standard Panel 02315  
 Front 1500x515 Carronite Panel 02314  
 End 700x515 Standard Panel 02285  
 End 700x515 Carronite Panel 02271

## Carron Bathrooms Limited

North Carron Works  
 Stenhouse Road  
 Falkirk, FK2 8UW

Email : [info@carronbathrooms.com](mailto:info@carronbathrooms.com)  
 Web : [www.carronbathrooms.com](http://www.carronbathrooms.com)  
 Tel : +44 (0)1324 638 407

  
 THE NAME FOR BATHS