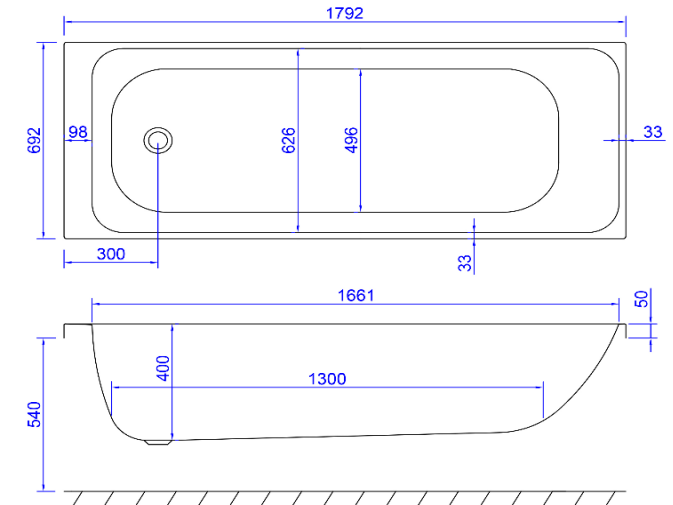


# Profile DE

# 1800 x 700



## Technical Information



### Water Capacity

231 litres

### Installation Kit

Standard - AK-01

Carronite - AK-01-C

### Whirlpool Compatibility

N/A

### Bath Codes

Profile DE 1800x700 Standard 02573  
Profile DE 1800x700 Carronite 02574

### Screen Codes

CFS1 Curved Profile 02344  
CFS1 Square Profile 02346

### Panel Codes

L-Shape 1800x700x540 Panel 02311  
Front 1800x540 Standard Panel 02322  
Front 1800x540 Carronite Panel 02323  
End 700x540 Standard Panel 02286  
End 700x540 Carronite Panel 02272

## Carron Bathrooms Limited

North Carron Works  
Stenhouse Road  
Falkirk, FK2 8UW

Email : [info@carronbathrooms.com](mailto:info@carronbathrooms.com)  
Web : [www.carronbathrooms.com](http://www.carronbathrooms.com)  
Tel : +44 (0)1324 638 407

  
THE NAME FOR BATHS