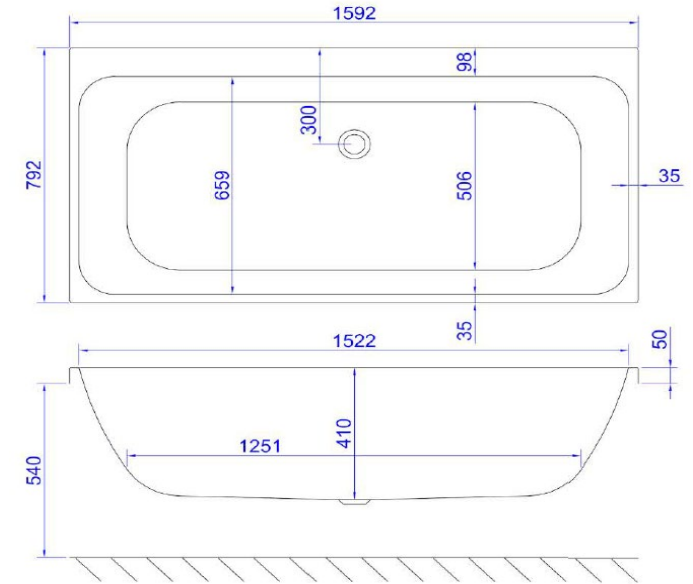


Profile DE

1600 x 800



Technical Information



Water Capacity

215 litres

Installation Kit

Standard - AK-03

Carronite - AK-03-C

Whirlpool Compatibility

N/A

Bath Codes

Profile DE 1600x800 Standard 02589
Profile DE 1600x800 Carronite 02590

Screen Codes

CFS1 Curved Profile 02344
CFS1 Square Profile 02346

Panel Codes

L-Shape 1600x800x540 Panel 02567
Front 1600x540 Standard Panel 02281
Front 1600x540 Carronite Panel 02267
End 800x540 Standard Panel 02291
End 800x540 Carronite Panel 02277

Carron Bathrooms Limited

North Carron Works
Stenhouse Road
Falkirk, FK2 8UW

Email : info@carronbathrooms.com
Web : www.carronbathrooms.com
Tel : +44 (0)1324 638 407


THE NAME FOR BATHS